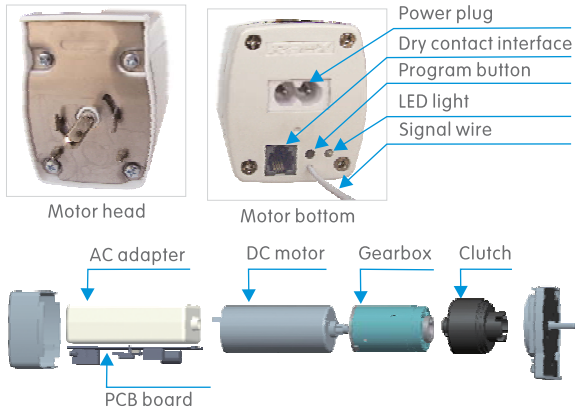


Curtain Motor System

RAEX[®]

Radio MD920

- ◆ Quiet, DC motor.
- ◆ Full automatic setting of the limits.
- ◆ Touch control function can be switched on and off.
- ◆ Operating the curtain manually in case of power failure.
- ◆ Slow start and slow stop with two intermediate functions.
- ◆ Built-in radio receiver, switch and/or network control.
- ◆ Track with self-lubricating design for straight and curve curtains. Applied durable textile belt system, easy for installation.



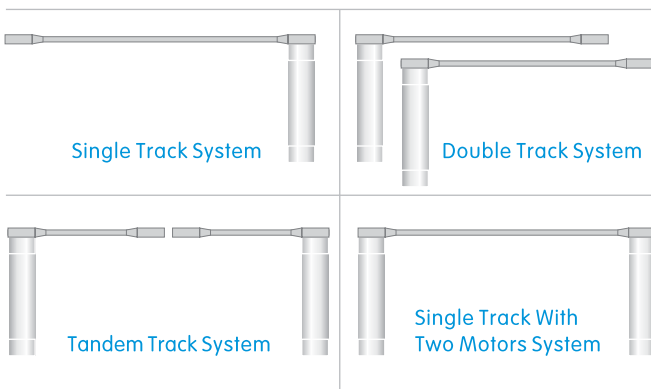
Motor Dimension: 50x60x327mm

Motor Structure Diagram

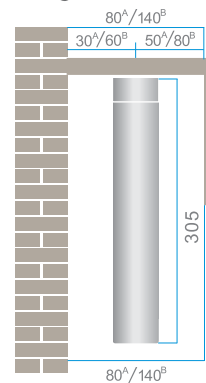
Parameter »

Model	Rated Voltage	Rated Frequency	Rated Current	Rated Torque	Rated Speed	Speed	Running Time	Protection Index
MD920	100-240VAC	50/60Hz	1.5A	1.2Nm	85-76rpm	0.16m/S	S3 50%	IP41

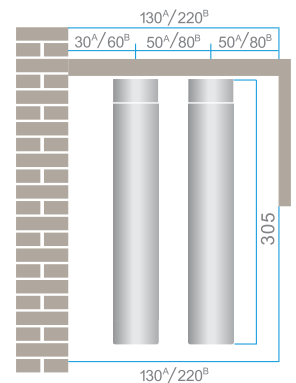
Application »



(Single Track)



(Double Tracks)



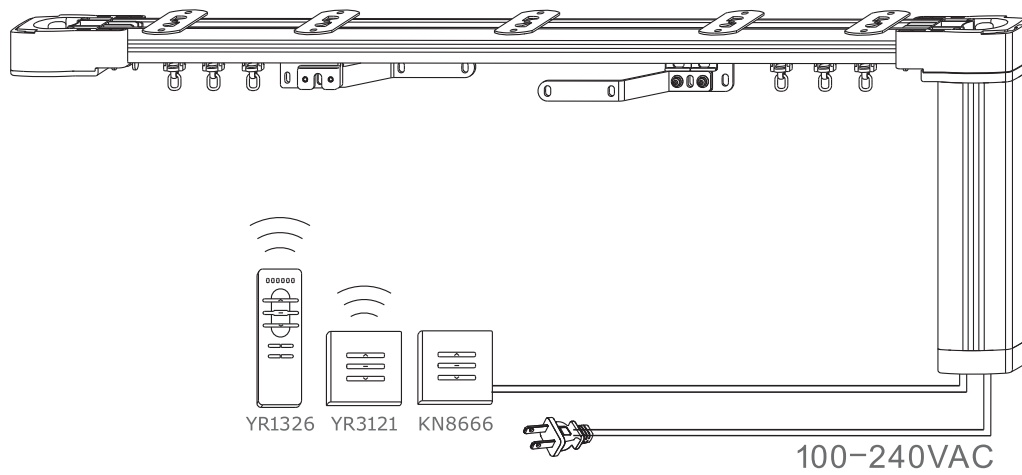
Load Capacity »

MD920 -1.2Nm with P322 track		4m	6m	8m	12m
	—	50Kg	45Kg	35Kg	30Kg
	R400	40Kg	35Kg	30Kg	—
	R2000	35Kg	30Kg	—	—
	R400 x 2	—	—	—	—

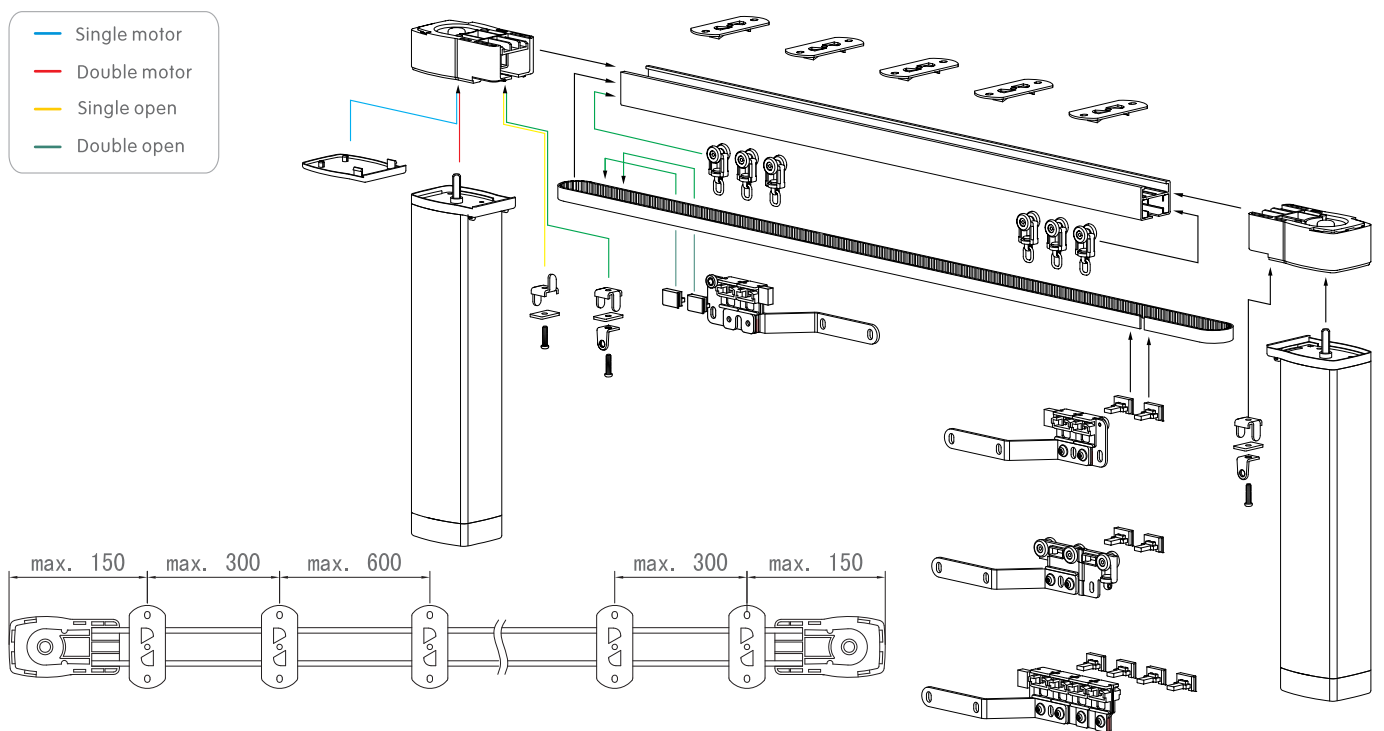
Dimension unit (mm)

A—mini. installation dimension, not suitable for thick fabric.
B—Best installation dimension.

Connection Diagram »



MD920 Track System Installation »



Accessories »

	Master carrier 025359		Master carrier 025339		Heavy carrier 025367
	Textile belt(12mm) 027788		P322 track 025350		Drive unit 025340
	Round bracket 025335		Ceiling bracket 025318		Wall bracket 025301
	Loop stop 025115		loop stop for single open 027743		Track joiner 025349
	Runner 025351(Normal) 025383(Quiet)				



High-tech



ISO9001-2008



www.raexmotor.com.cn